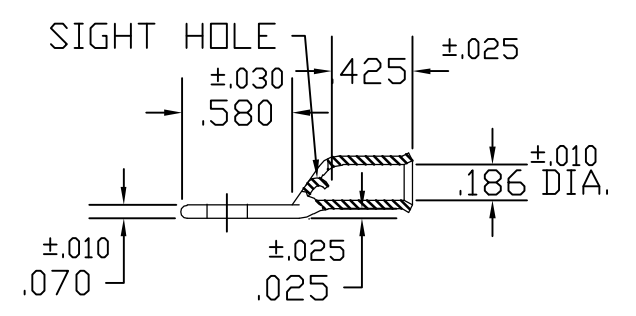
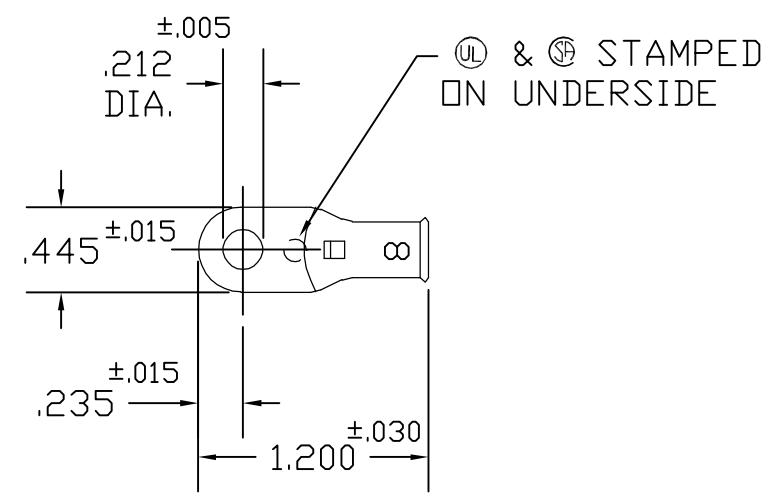


THIS DRAWING IS UNPUBLISHED. RELEASED FOR PUBLICATION
 © COPYRIGHT BY TYCO ELECTRONICS CORPORATION. ALL RIGHTS RESERVED.

LOC	DIST	REVISIONS					
G	50	P	LTR	DESCRIPTION	DATE	DWN	APVD
		B1		REV PER ECR 06-006958	06APR06	JR	DD



ACTIVE	8101-03-R	SMALL PACK	TIN PLATE	8-1526110-2
ACTIVE	8101-03	STANDARD	TIN PLATE	1526110-2
ACTIVE	8101-02	STANDARD	PLAIN	1526110-1
STATUS	AET P/N	PACKAGING	FINISH	PART NUMBER

THIS DRAWING IS A CONTROLLED DOCUMENT.		DWN D.A.A	10/31/00	Tyco Electronics Corporation Harrisburg, PA 17105-3608			
DIMENSIONS: INCHES		CHK H.D.F	10/31/00			NAME	
		APVD H.D.F	10/31/00			8 STANDARD TERMINAL W/SIGHT HOLE	
TOLERANCES UNLESS OTHERWISE SPECIFIED:		PRODUCT SPEC		RESTRICTED TO			
0 PLC ± - 1 PLC ± - 2 PLC ± - 3 PLC ± - 4 PLC ± - ANGLES ± -		APPLICATION SPEC		SIZE	CAGE CODE		
MATERIAL		WEIGHT		DRAWING NO			
COPPER ASTM B-152		-		A3 00779 C-1526110			
CUSTOMER DRAWING				SCALE	REV		
				1:1	B1		
				SHEET	1 OF 1		